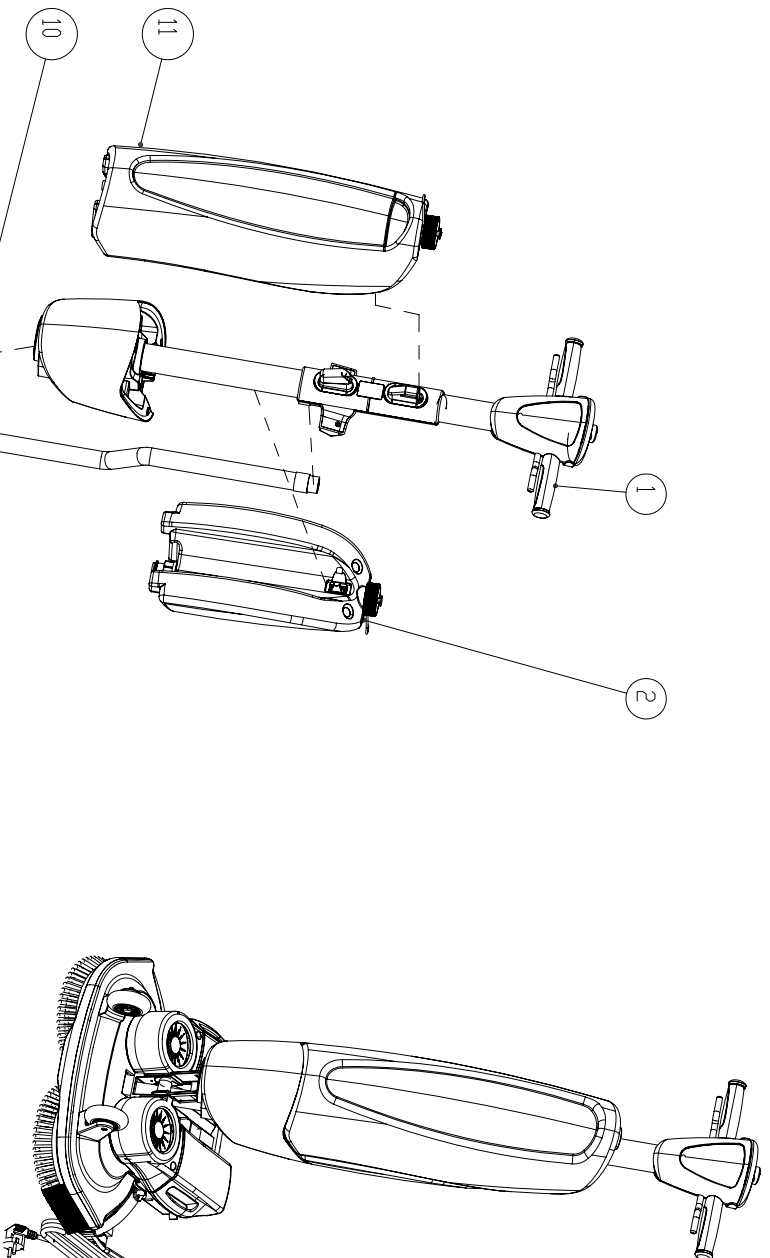


SMT REVISION BLOCK

ISSUE	REVISION	ZONE	CHG. BY DATE	CHK & APP. DATE
-------	----------	------	-----------------	--------------------



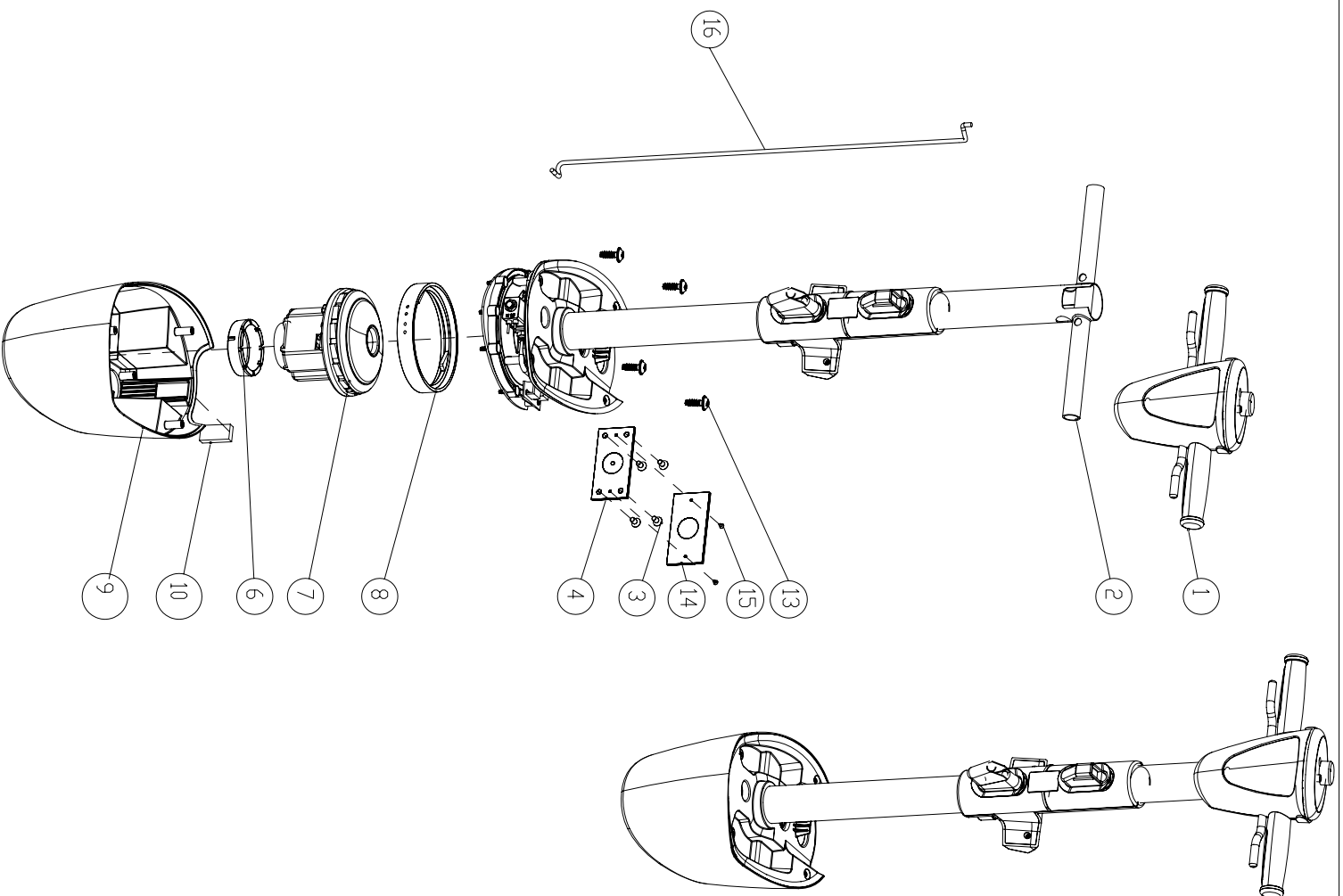
Item	P/N	Description	QTY.
1	TJIMP2302/797	ASSY TOP UNIT IMP I BLUE BUTTON	1
2	S/72.00811	ASSY CLEAN COMPARTMENT COMPLETE (NEW)	1
3	S/72.00742BSRA	ASSY BATTERY PACK BLUE (LEFT) BMS (FIRE RESIST/W/ FUSE)	1
4	7201524	POWER CORD USA 1.2 METER (UL 3P1N)	1
4-1	S/72.02990/A	POWER CORD JPN 1.2 METER PSE 3P1N	1
5	S/72.0092797/797	ASS BRUSH IMP COMPLETE BLUE BRISTLE I BLUE LOCKER	2
6	BULIMP23036/KUK	ASSY BRUSH UNIT IMP 24V SILVER I KUKAN W/D SPLASING GUARD	1
7	S/72.00960	SOLEEGEE ASSEMBLY (MCH 1416-1001-1006)	1
8	S/72.00652	ASSY MAIN LEVER UNIT IMP (MCH 1416-1001-1004)	1
9	S/72.00792BSRA	ASSY BATTERY PACK GREY (RIGHT) BMS (FIRE RESIST/W/ FUSE)	1
10	S/72.00940	STRETCH HOSE COMPLETE	1
11	S/72.00881	DIRT COMPARTMENT (NEW)	1
12	72004230913	MANUAL IMP (JAPANESE)	1
13	72004230914 7201221 7201221 NO SHDW	MANUAL IMP CHARGER (JAPANESE)	1
14		DAMP-PROOF BAG 30G	2

SMT-FCT Donoguan Ltd.
THE FRIENDLY FAMILY
ASSEMBLY AND MODEL OF CLEANING PRODUCTS

TITLE	IMPXL.KUK4600C EXPLODED VIEW	VIEW	HP NO.	1-MOP REV.	E
MATL	N/A	OWN BY	ANDY XIE	SCALE	1/10
TENSIFY TREATMENT	N/A	CHK BY		SHEET	1 OF 22
CDLR	N/A	APP BY		FIG NO.	IMPXL.KUK4600C EXPLODED VIEW
				PLOT FILE	IMPXL.KUK4600C
					A3

SMT REVISION BLOCK

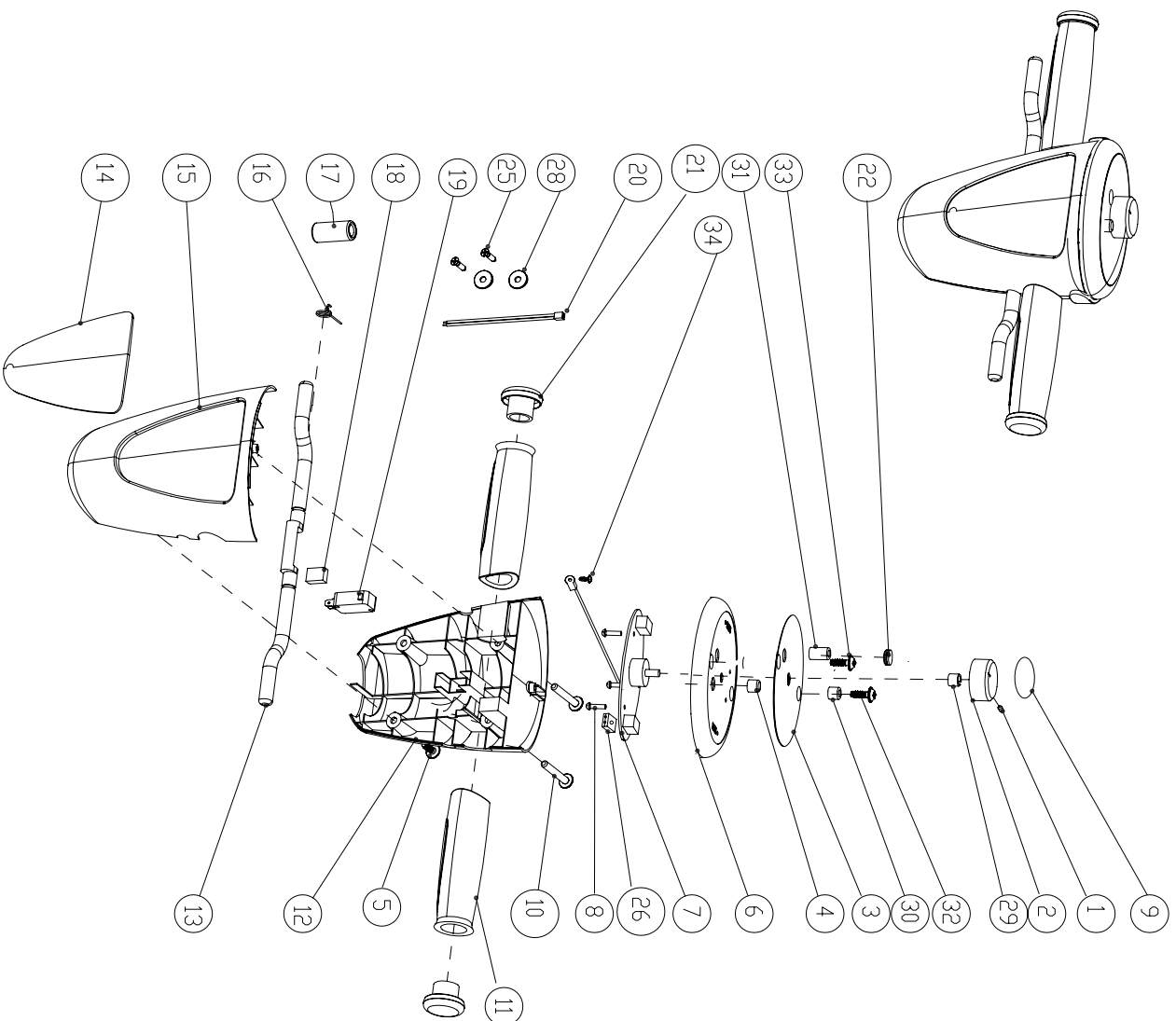
ISSUE	REVISION	ZONE	CHG. BY	CHK &
			DATE	APP. DATE



Item	P/N	Description	QTY.
1	TUJMP2302/797	ASSY TOP UNIT IMPP I BLUE BUTTON	1
2	S/7200592/797	ASSY CONTRL UNIT I BLUE	1
3	7200331	ASSY INLET TUBE IMCH 1416-1001-1024J	1
4	S/7200312	COUNTER SUNK HEAD CAP SCREW M6X12 WITH INLCK GLUE	4
5	7200331	HINGE WELDING ASSY TOP UNIT [Ver2]	1
6	7200340	VACUUM MOTOR SEALING BOTTOM IMCH 1416-1001-2047J	1
7	7200350	DDMEL VACUUM CLEANER MOTOR(6900070)	1
8	720120/4	VACUUM MOTOR SEALING SUPPRT [VER1]	1
9	720111.357	MOTOR UNIT COVER IMCH 1416-1001-2118J, Klear: Grey .357 (P43	1
10	7200510	MAGNET TOP UNIT 40X20X10MM IMCH 1416-1001-2044J	1
12	890467209902 ND SHOW	SERIAL ND VACUUM MOTOR	1
13	720121.1	SCREW M4X12	4
14	720241.357	PLASTIC PLATE FOR HINGE WELDING ASSY GREY	1
15	720240.0	COUNT SUNK SCREW M3.5X3 PHILPS HEAD	2
16	7200390/A	UTP CABLE (MULTIPLE WIRES) R45 < PHE-8P CONNECTOR L=100CM	1

SMT-FCT Donoguan Ltd.
 THE FRIENDLY FAMILY
 ASSEMBLY AND MODEL OF CLEANING PRODUCTS

TITLE	IMPPX.KUK.4600C EXPLODED VIEW	REV.	1-MOP	E
DRAWN BY	ANDY XIE	SCALE	1/10	
CHECKED BY		SHEET	2	OF
DATE		APP. BY		22
FILE NO.	IMPPX.KUK.4600C EXPLODED VIEW	APP. DATE		A3



SMT REVISION BLOCK

ISSUE	REVISION	ZONE	CHG BY DATE	CHK & APP DATE
-------	----------	------	-------------	----------------

Item	P/N	Description	QTY.
1	S.7200592.797	ASSY CONTROL UNIT I BLUE	1
2	00.0115.0	HEXAGON SOCKET SET SCREW M4 X 8	1
3	S.7201553.7797	TURNING BUTTON I NODIC EXHAUSTION MAL I BLUE P312C	1
4	89.0467.2099.00B	AL. STICKER IMP (PLATE) (B1)	1
5	72.0203.0	WATER SAVE BUTTON	1
6	72.0121.1	SCREW M4X12, CROSS HEAD, STANDARD THREAD SST	2
7	72.00612/A	TOP HOUSING CONTROL UNIT Color: White (A1)	1
8	72.0062.0/B	ASSY PCB CONTROL UNIT (B1) [BLUE]	1
9	85.1008.1	SCREW M3 X12 CROSSHEAD SELF-TAPPING BL-NI SST	3
10	89.0469.2099.24	REMOVE STICKER ON THE SWITCH	1
11	72.0122.1	SCREW M4X35CROSS HEAD, STANDARD THREAD SST	2
12	72.0230.357	HANDLE GRIP WITHOUT PROTRUSION, Kieur: Grey.357 (P431C)	2
13	72.0059.2/A	REAR HOUSING CONTROL UNIT (MCH 1416-1001-2624) Kieur: White	1
14	72.0063.797	HANDLE CONTROL UNIT (MCH 1416-1001-2065)Kieur: Blue .797	1
15	89.0467.2099.01B	AL PLATE STICKER IMP (HANDLED)	1
16	72.0064.2/A	FRONT HOUSING CONTROL UNIT Color: White (A)	1
17	72.0228.1	SPRING_SWITCH LEVER DIA.0.8MM (Ver.1)	1
18	97.0051.0	MAGNET RING EASY SCRUB	1
19	72.0211.2	RUBBER BLOCK 15X10X5mm INJECTED	1
20	72.0060.2	POWER SWITCH CONTROL UNIT (MOROM)	1
21	72.0120.0	DN/OFF SWITCH WIRES / L=250MM	1
22	72.0229.797	END CAP GRIP, Kieur: Blue .797 (P312C)	2
23	72.0235.0/A	RUBBER BLOCK WATER SAVE ADJUSTMENT (HOLE)A1	1
24	00.0117.0 ND SHDW	GLUE ND401	1
25	89.0469.2099.03 ND SHDW	STICKER SOFTWARE RELEASE	1
26	72.0057.0	SCREW WN 5451 25X10 EJDT DELTA PT (MCH 1416-1001-21501)	2
27	72.0263.0 (ND SHDW)	SWITCH WIRE CLAMP, Kieur: Black	1
28	72.0266.0 (ND SHDW)	GLUE 518	0.067
29	72.0271.0	PLASTIC WASHER 9x4x1mm	2
30	72.0272.0	FIXATION INSERT TURNING BUTTON	1
31	72.0276.1	SUPPORT PLASTIC BUSH TOP AL STICKER SHORT	1
32	72.0276.0	SUPPORT PLASTIC BUSH TOP AL STICKER LONG	1
33	72.0273.0	M4X20 COUNTERSUNK SCREW STAINLESS STEEL	1
34	72.0273.1	M4X25 COUNTERSUNK SCREW STAINLESS STEEL	1
35	00.0002.7 72.0142.14 ND SHDW	SCREW 4X10 IMP WARNING CARD	1

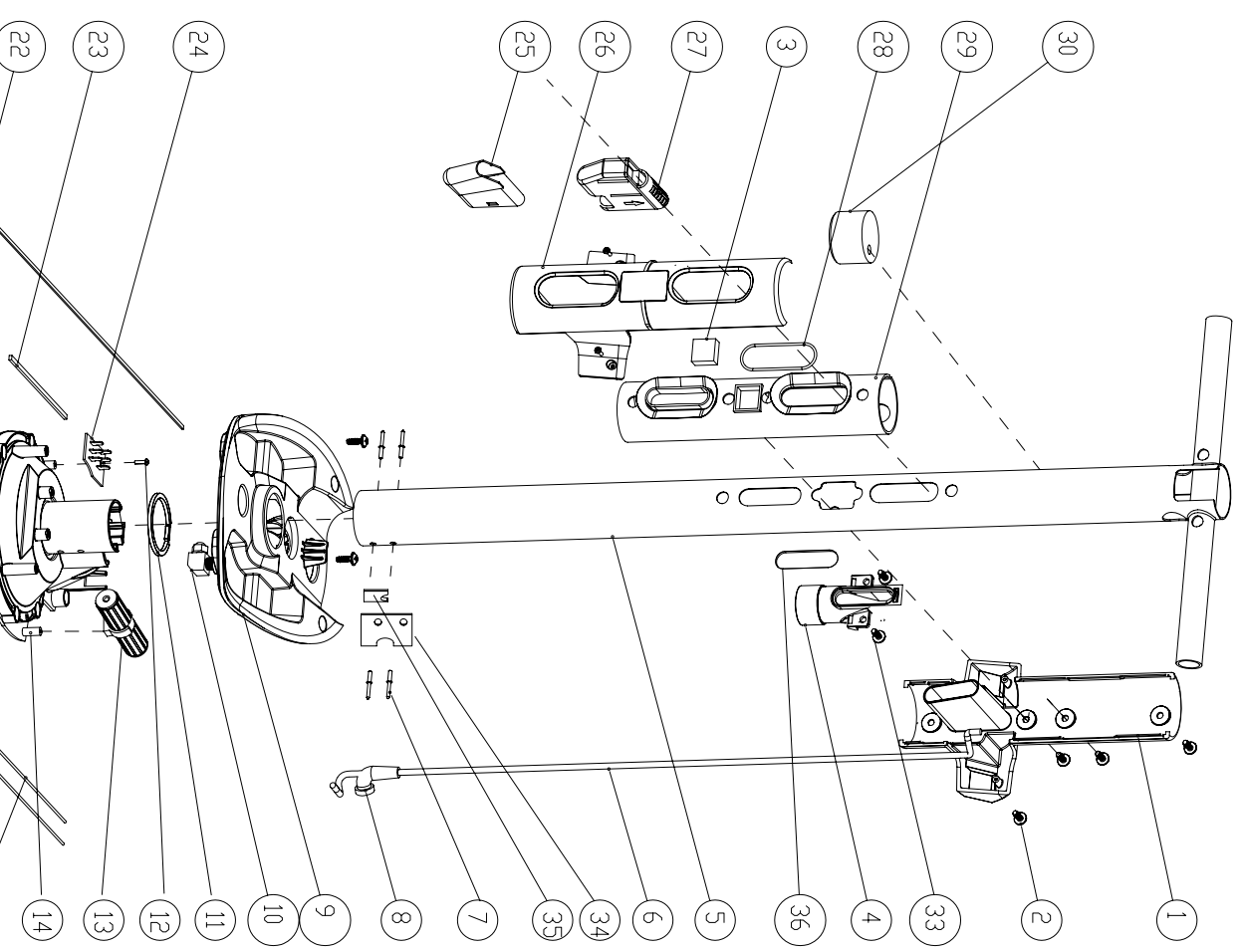
SMT-FCT Dongguan Ltd.

THE FORTUNE FAMILY
ASSEMBLY AND MOLDING OF CLEANING PRODUCTS

TITLE	IMPPLKUK4600C EXPLODED VIEW	APP NO.	I-MOP	REV.	E
MATL	N/A	DWN BY	ANDY XIE	SCALE	1/10
THERMAL TREATMENT	N/A	CHK BY		SHEET	3
COLOR	N/A	APP BY		DF	22
				END FILE	IMPPLKUK4600C
				IMPPLKUK4600C	A3

SMT REVISION BLOCK

ISSUE	REVISION	ZONE	CHK BY DATE	CHK & APP DATE
-------	----------	------	-------------	----------------



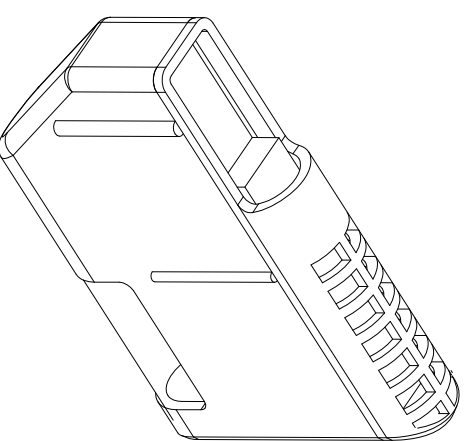
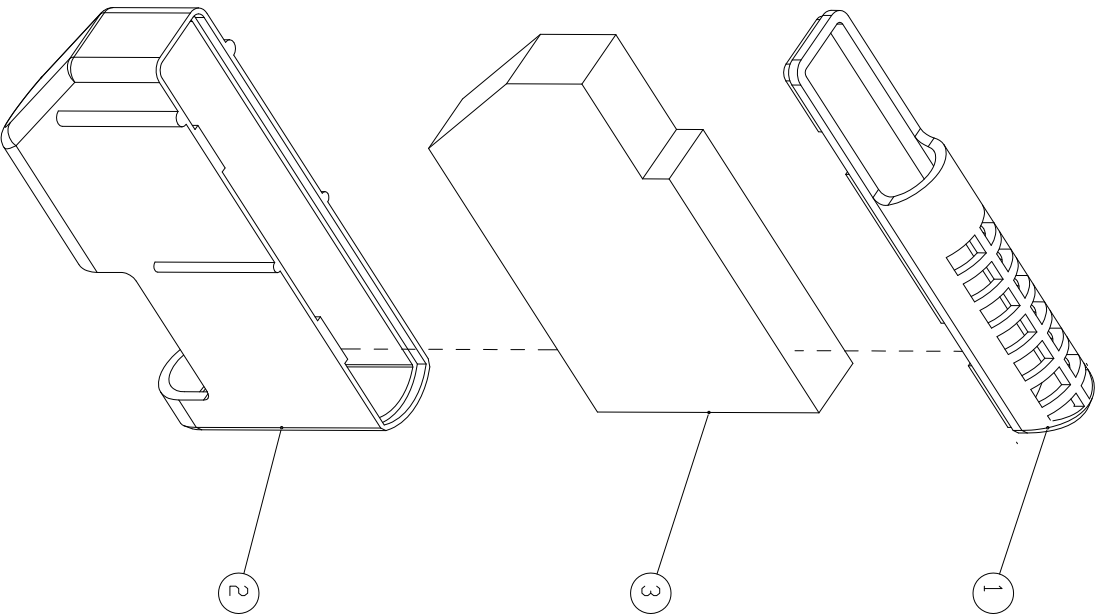
Item	P/N	Description	QTY.
1	S/7200400	ASSY INLET TUBE (MCH 1416-1001-1024)	1
2	720055,357	TANK HOLDER REAR (MCH 1416-1001-2197), Klear: Grey .357 (P43)	1
3	720026,0	SCREW VN 5451 50X14 E.JOIT DELTA PT (MCH 1416-1001-2004)	10
4	720053,0	MAGNET TOP UNIT SMALL 20X20X10MM (MCH 1416-1001-2172)	1
5	720056,357	STRETCH HOSE CONNECTOR (MCH 1416-1001-2199), Klear: Grey .35	1
6	S/7200410	ASSY INLET TUBE WELDING - 1 PIECE (MCH 1416-1001-1025)	1
7	720039,0/A	UTP CABLE (MULTIPLE WIRES) RJ45 < PHE20-8P CONNECTOR L=100	1
8	72019,90	RIVET WITH DIA. 5MM & LENGTH 10 MM	4
9	720042,0	POWER CABLE GUIDING RUBBER (MCH 1416-1001-2187)	1
10	72013,357	MOTOR UNIT TOP (MCH 1416-1001-2123), Klear: Grey .357 (P43)	1
11	720049,1	ANGLE METAL CONNECTOR	1
12	720044,0	MOTOR UNIT FRAME RUBBER (MCH 1416-1001-2189)	1
13	85,1008,1	SCREW M3 X12 CROSSHEAD SELF-TAPPING BL-NI SST	2
14	S/720243,0	ASSEMBLY SIGAR UTP CONNECTOR	1
15	720114,357	MOTOR UNIT FRAME (MCH 1416-1001-2122), Klear: Grey .357 (P4)	1
16	720127,0	187 TERMINAL + WIRE 14AWG, RED, L=280mm, 250 TERMINAL	1
17	720128,0	187 TERMINAL + WIRE 14AWG, BLACK, L=280mm, 250 TERMINAL	1
18	720045,0/A	VACUUM MOTOR SEALING TOP (MCH 1416-1001-2049)	1
19	720206,0	SCREW COUNTER SUNK BOLT M4X10 STAINLESS STEEL	2
20	720050,1	MAGNETIC VENTIL FIXATION PLATE STAINLESS STEEL	1
21	720026,3	ASSY COPPER MANNETIC VALVE WITH METAL CONNECTORS NEW DESIGN	1
22	720022,2	WATER CHANNEL DIA:6MM L:255mm	1
23	720209,0	SEALING GASKET EVA 3X1.5X593MM	1
24	720210,0	SEALING GASKET EVA 4X2.5X150MM	1
25	720182,0/A	PCB MAGNETIC VALVE & VAC MOTOR	1
26	720163,1/996	TRANSPARENT PLASTIC FILTER DIRTY TANK	1
27	720054,357	TANK HOLDER FRONT (MCH 1416-1001-2196), Klear: Grey .357 (P4)	1
28	S/720189,0	ASSY FILTER FOAM CASSETTE 1-MOP	1
29	720160,0	O RING WIRE DIA:3MM, DD:46MM	1
30	720052,0	DIRTY COMPARTMENT SEAL (MCH 1416-1001-2081)	1
31	720038,0	END CAP INLET TUBE (MCH 1416-1001-2152)	1
32	720232,0 NO. SHOW 00,0117,0 NO. SHOW	THREAD SEALING ADHESIVE	002
33	720057,0	GLUE ND401	1
34	720267,0	SCREW VN 5451 25X10 E.JOIT DELTA PT (MCH 1416-1001-2150)	2
35	720268,0	SEALING RUBBER SHEET AL TUBE	1
36	720296,0	GASKET FOR HOSE CONNECTOR	1

SMT-FCT DonoGuan Ltd.
 THE FRIENDLY CLEANING PRODUCTS
 ASSEMBLY AND MODEL BY CLEANING PRODUCTS

TITLE	IMPXL.KUK.4600C EXPLODED VIEW	REV.	1-MOP	E
DATE	N/A	APP BY	ANDY XIE	SCALE
SCALE	1/10	SHEET	4	DF
APP BY	N/A	IMPXL.KUK.4600C EXPLODED VIEW	IMPXL.KUK.4600C	A3

SMT REVISION BLOCK

ISSUE	REVISION	ZONE	CHG. BY DATE	CHK & APP. DATE
-------	----------	------	-----------------	--------------------



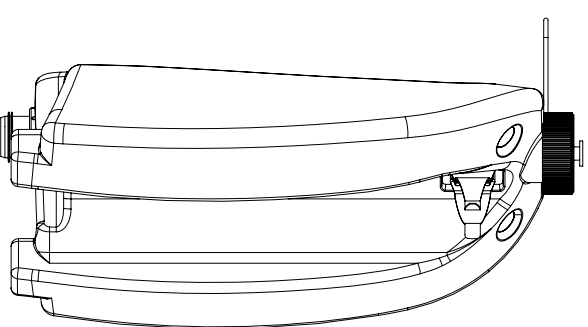
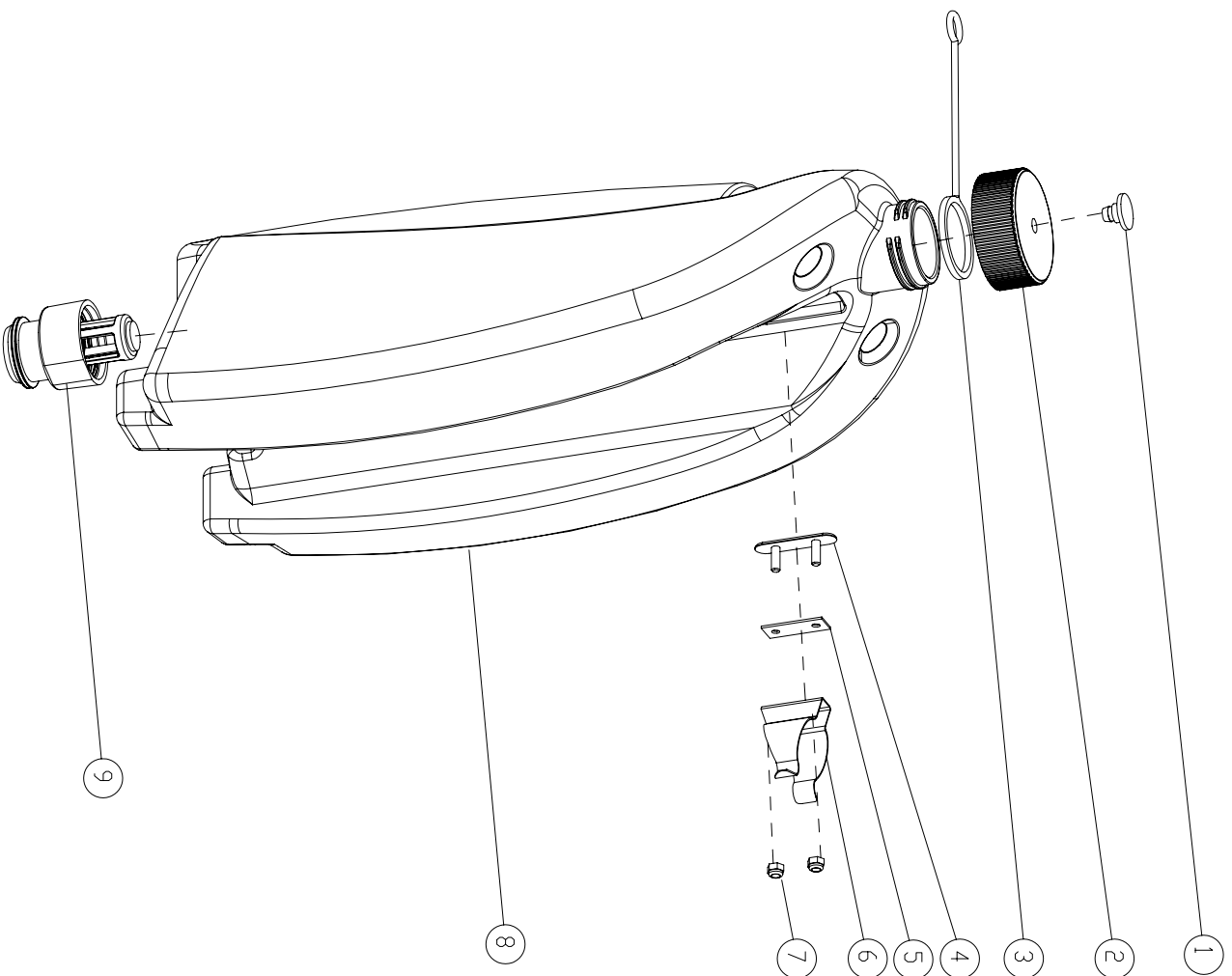
Item	P/N	Description	QTY.
1	S/7201890	ASSY FILTER FOAM CASSETTE I-MOP	1
2	7201890/8	COVER FILTER CASSETTE I-MOP I YELLOW	1
3	7201891/8	FILTER CASSETTE I-MOP I YELLOW	1
4	7201892	FILTER FOAM CASSETTE I-MOP	1
	890469209934A	GREEN ARROW + INSTRUCTION MARK	1

SMT-FCT Donoguan Ltd.
THE FRIENDLY FAMILY
ASSEMBLY AND MODEL OF CLEANING PRODUCTS

TITLE	IMPYL.KUK.4600C EXPLODED VIEW	REV.	E
MATL	N/A	OWN BY	ANDY XIE
DESIGNER	N/A	CHK BY	
DATE	N/A	APP BY	
SCALE	1/10	SHEET	5
OF	22	APP. DATE	
FILE	IMPYL.KUK.4600C EXPLODED VIEW	APP. DATE	
APP. DATE		APP. DATE	

SMT REVISION BLOCK

ISSUE	REVISION	ZONE	CHG. BY DATE	CHK & APP. DATE
-------	----------	------	-----------------	--------------------



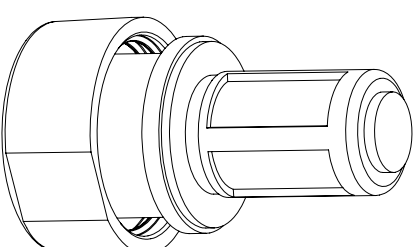
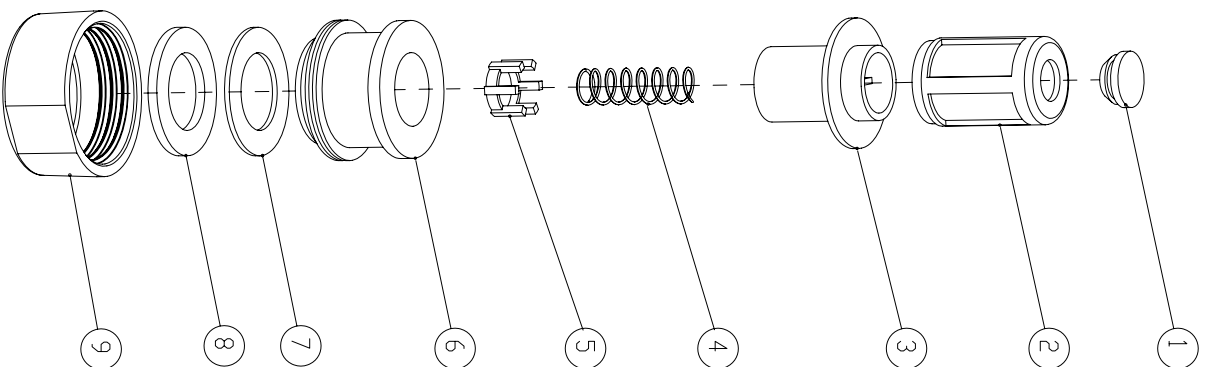
Item	P/N	Description	QTY.
1	S.72.0081.1	ASSY. CLEAN COMPARTMENT COMPLETE (NEW)	1
2	72.0254.1	SLEEVE CAP HOLDER CLEAN TANK	1
3	72.0251.797	CAP WITH HOLE, Kieur: Blue .797 (P312C) CAP HOLDER	1
4	72.0252.0	HOLDER PLATE CLIP CLEAN TANK	1
5	72.0290.0	RUBBER CUSHION FOR METAL CLIP	1
6	72.0288.0	METAL CLIP CLEAN TANK	1
7	72.0261.0	NUT M4 NYLON STAINLESS	2
8	72.0081.10	CLEAN COMPARTMENT I CAP VERSION	1
9	S.72.0085.0	WATER COUPLING VERSION 2	1

SMT-FCT Donoguan Ltd.
 THE FRIENDLY FAMILY
 ASSEMBLY AND MODEL OF CLEANING PRODUCTS

TITLE	IMPYL.KUK.4600C EXPLODED VIEW	VIEW	REV.	E
MATL	N/A	OWN BY	ANDY XIE	SCALE
TREATMENT	N/A	CHK BY		1/10
CDLR	N/A	APP BY		SHEET 6 OF 22
BVD NO.		IMPYL.KUK.4600C EXPLODED VIEW		DF
P3D FILE		IMPYL.KUK.4600C		A3

SMT REVISION BLOCK

ISSUE	REVISION	ZONE	CHG. BY DATE	CHK & APP. DATE
-------	----------	------	-----------------	--------------------



Item	P/N	Description	QTY.
	S.72.0085.0	WATER COUPLING VERSION 2	
1	72.0192.6	RUBBER BLOCK FILTER	1
2	72.0085.0	WATER COUPLING FILTER [MCH 1416-1001-2188]	1
3	72.0192.2/357A	HOUSING OF VALVE GREY [A]	1
4	72.0192.3/A	SPRING WATER COUPLING[A]	1
5	72.0192.4/357A	VALVE WATER COUPLING GREY [A]	1
6	72.0192.1	HOUSING WATER COUPLING	
7	72.0192.5	RUBBER GASKET ID 19mm, OD31mm, T=1.5mm	1
8	72.0192.5/A	RUBBER GASKET ID 19mm, OD31mm, T=3mm	1
9	72.0289.0/8	METAL CAP WATER COUPLING YELLOW	1

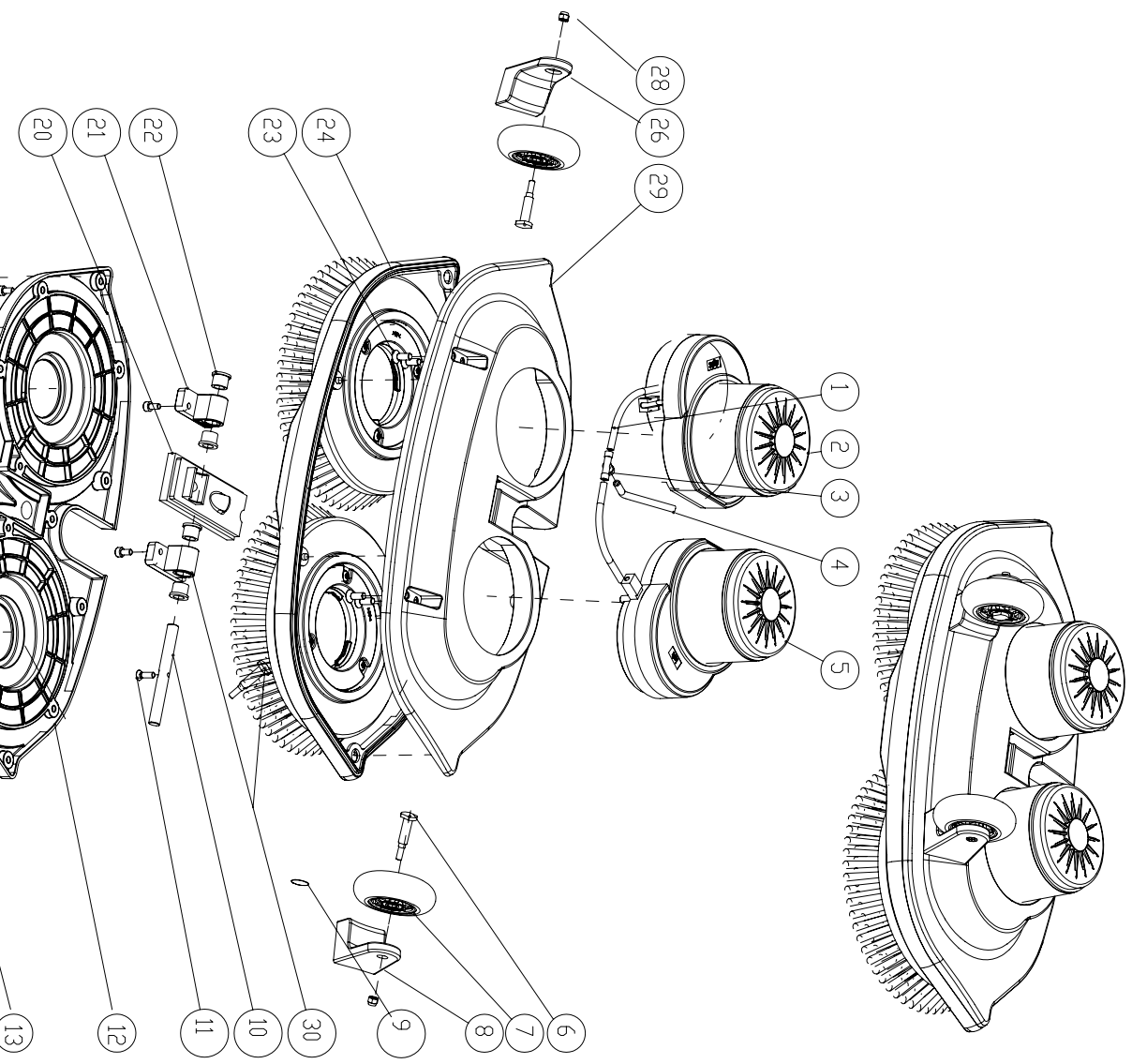
SMT-FCT DongGuan Ltd.

THE EXPLODED VIEW PRODUCTS
ASSEMBLY AND HEAD OF CLEANING PRODUCTS

TITLE	IMDPLX.KUK.4600C EXPLODED VIEW	REV.	1-MDP	E
DATE	N/A	CHK BY	ANDY XIE	1/10
DESIGNER	N/A	APP BY		22
DATE	N/A	APP BY		A3

SMT REVISION BLOCK

ISSUE	REVISION	ZONE	CHG BY DATE	CHK & APP DATE
-------	----------	------	-------------	----------------



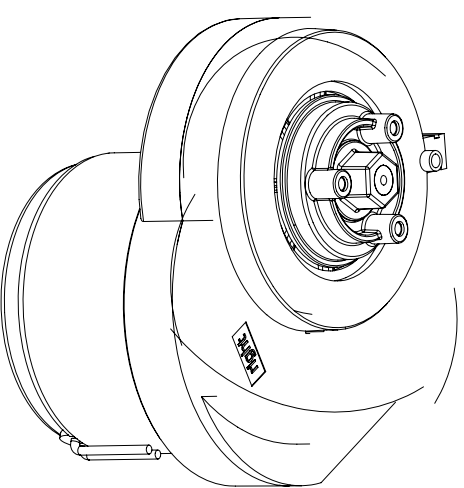
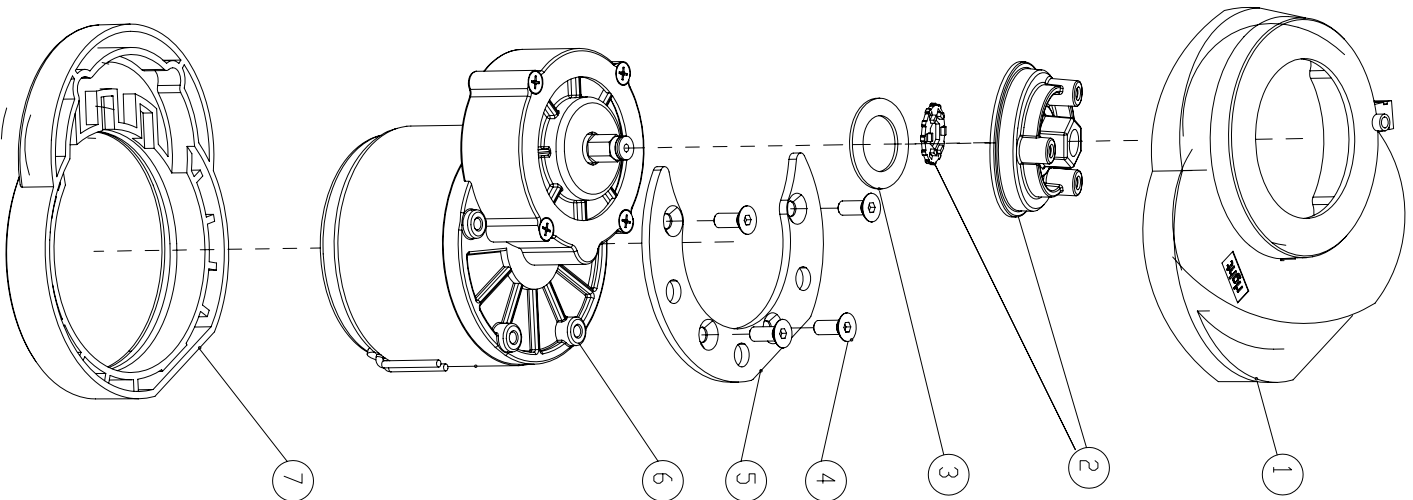
Item	P/N	Description	QTY.
1	72.0022.1	ASSY BRUSH UNIT IMP 24V SILVER I KUKAN W/D SPLASHING GUARD	2
2	S/72.00001/A	WATER CHANNEL DIA4MM L110mm (MCH 1416-1001-2109J)	1
3	72.0109.0	ASSY BRUSH MOTOR RIGHT (Ver1)	1
4	72.0022.0	WATER COUPLING BRUSH MOTOR	1
5	S/72.00000/A	WATER CHANNEL DIA6MM L690mm (MCH 1416-1001-2034J)	1
6	72.0027.3	ASSY BRUSH MOTOR LEFT (Ver1)	1
7	72.0029.2/797	SHAFT TRANSPORT CASTOR (V2)	2
8	72.00090/A	TRANSPRT CASTOR (MCH 1416-1001-2141)	2
9	89.0469.2099.24	TRANSPRT WHEEL PILLAR LEFT LDNG (NEW)	1
10	72.0013.0	REMOVE STICKER ON THE SWITCH	2
11	72.0014.0N	CHASSIS HINGE (MCH 1416-1001-2012)	1
12	72.0110.357	NYLDR SCREW COUNTER SUNK BOLT M4x12	1
13	72.0017.0N	BRUSH UNIT BOTTOM PART (MCH 1416-1001-2008J) Klear: Grey .35	1
14	72.0024.1/357	NYLDR SOCKET HEAD CAP SCREW M5X10	17
15	72.0014.3N/1	DRIVING WHEEL BOTTOM LEFT Color: Grey (P431C)	1
15-1	72.0014.4N/1	NYLDR SCREW COUNTER SUNK BOLT M5X18.5	1
16	72.0026.0	NYLDR SCREW COUNTER SUNK BOLT M5X18.5 (REVERSE THREAD BLACK)	1
17	02.0005.10	SCREW VN 5451 50X14 E/DOT DELTA PT (MCH 1416-1001-2004J)	6
18	89.0467.2099.04	BLIND RIVET 3 x 6	2
19	72.0025.1	METAL PLATE IMP THICKNESS:0.5MM	1
20	72.0021.0	SUPPRT DISC DRIVING WHEEL SIDE ,HOLE DIASMM	2
21	72.0015.1	CONSTRUCTION COVER SEAL (MCH 1416-1001-2115J)	1
22	72.0016.0	BRUSH UNIT HINGE SUPPRT RIGHT (MCH 1416-1001-2186J)	1
23	72.0002.0N	BRUSHING AXIS 10 (MCH 1416-1001-2112)	4
24	72.0023.0	NYLDR SCREW COUNTER SUNK BOLT M6X16 (MCH 1416-1001-2104)	4
25	72.0312.797	BRUSH UNIT PROTECTOR (MCH 1416-1001-2102)	2
26	72.00091/A	COVER HINGE SCREW, Klear: Blue .797 (P312C)	1
28	04.0048.0	TRANSPORT WHEEL PILLAR RIGHT LDNG (NEW)	1
29	72.0008.0	NUT M5 NYLON	2
30	72.0015.0	BRUSH MOTOR CONSTRUCTION COVER (MCH 1416-1001-2025)	1
31	57.0076.0 ND SHOW	BRUSH UNIT HINGE SUPPRT LEFT (MCH 1416-1001-2185J)	1
32	72.0248.0	Black CABLE TIE 3 X 15 BLACK	1
33	72.0260.0	SPLASHING GUARD IMP LEFT	1
34	72.0248.1	NYLDR HEXAGON SOCKET HEAD CAP SCREWS M5X20 SST SPLASHING GUARD IMP RIGHT	2

SMT-FCT DonoGuan Ltd.
 THE FRIENDLY FAMILY
 ASSEMBLY AND MODEL OF CLEANING PRODUCTS

TITLE	IMPXL.KUK4600C EXPLODED VIEW	REV.	1-MOP	REV.	E
MATL	N/A	OWN BY	ANDY XIE	SCALE	1/10
TENSIFY TREATMENT	N/A	CHK BY		SHEET	10
COLOR	N/A	APP BY		DF	22
				PLOT FILE	IMPXL.KUK4600C EXPLODED VIEW
				APP FILE	IMPXL.KUK4600C
					A3

SMT REVISION BLOCK

ISSUE	REVISION	ZONE	CHG BY	CHK &
			DATE	APP DATE

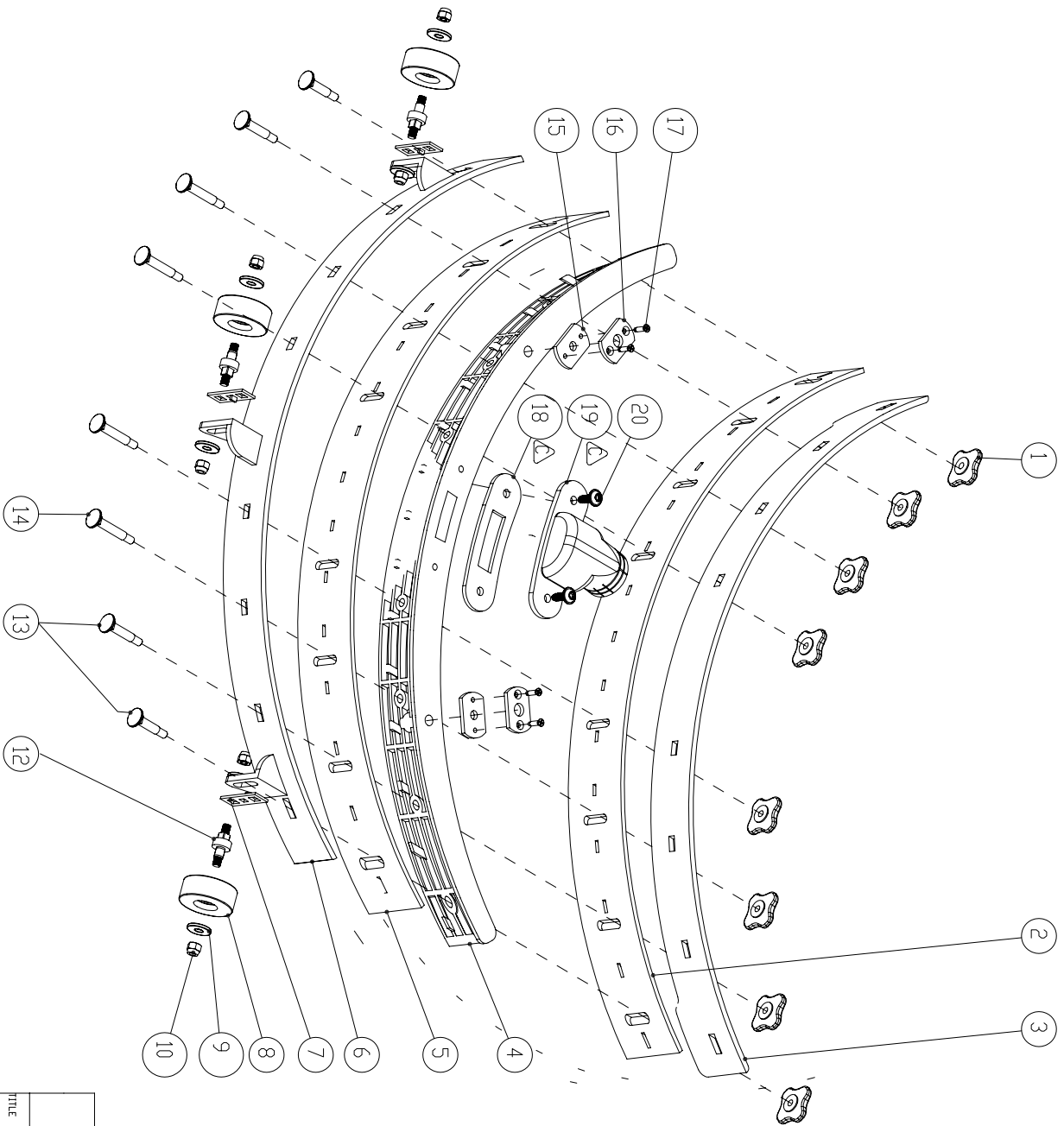
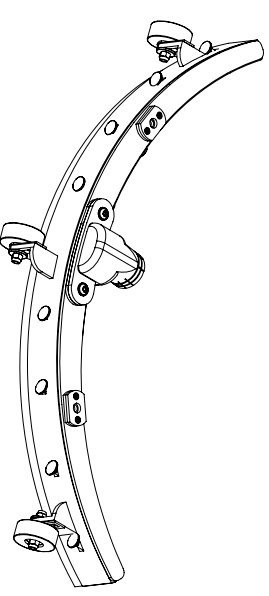


Item	P/N	Description	QTY.
1	S.72.0000.1/A	ASSY BRUSH MOTOR RIGHT [Ver1]	
1	72.0007.1	BRUSH MOTOR SUPPORT RUBBER RIGHT [MCH 1416-1001-2101]	1
2	72.0005.357/A	DRIVING WHEEL TOP WITH METAL INSERT (VER1)	1
3	72.0004.0	FELT BRUSH MOTOR [MCH 1416-1001-2183]	1
4	72.0002.0N	NYLON SCREW COUNTER SUNK BOLT M6X16 [MCH 1416-1001-2104]	4
5	72.0001.1	BRUSH MOTOR CONSTRUCTION RING RIGHT [MCH 1416-1001-2007]	1
6	72.0000.1	BRUSH MOTOR HELICAL GEARS RIGHT [MCH 1416-1001-2005]	1
7	72.0006.1/A	BRUSH MOTOR FIXATION CONDUCTIVE RUBBER RIGHT	1
8	72.0108.0	LOCKTITE 222	1
9	89.0469.2099.01	SERIAL NO. BRUSH MOTOR RIGHT	1

SMT-FCT Dongguan Ltd. <small>THE FRIENDLY FAMILY ASSEMBLY AND MOLDING OF CLEANING PRODUCTS</small>			
TITLE	IMPXLKUK.4600C EXPLODED VIEW	REV.	E
DATE	N/A	APP BY	
SCALE	1/10	SHEET	12 OF 22
DRG NO.	IMPXLKUK.4600C EXPLODED VIEW	DATE	
CHK BY	ANDY XIE	APP BY	
TRNBY/TREATMENT	N/A	DATE	
WTL	N/A	DATE	
COLDR	N/A	DATE	

SMT REVISION BLOCK

ISSUE	REVISION	ZONE	CHG BY DATE	CHK & APP DATE
-------	----------	------	-------------	----------------



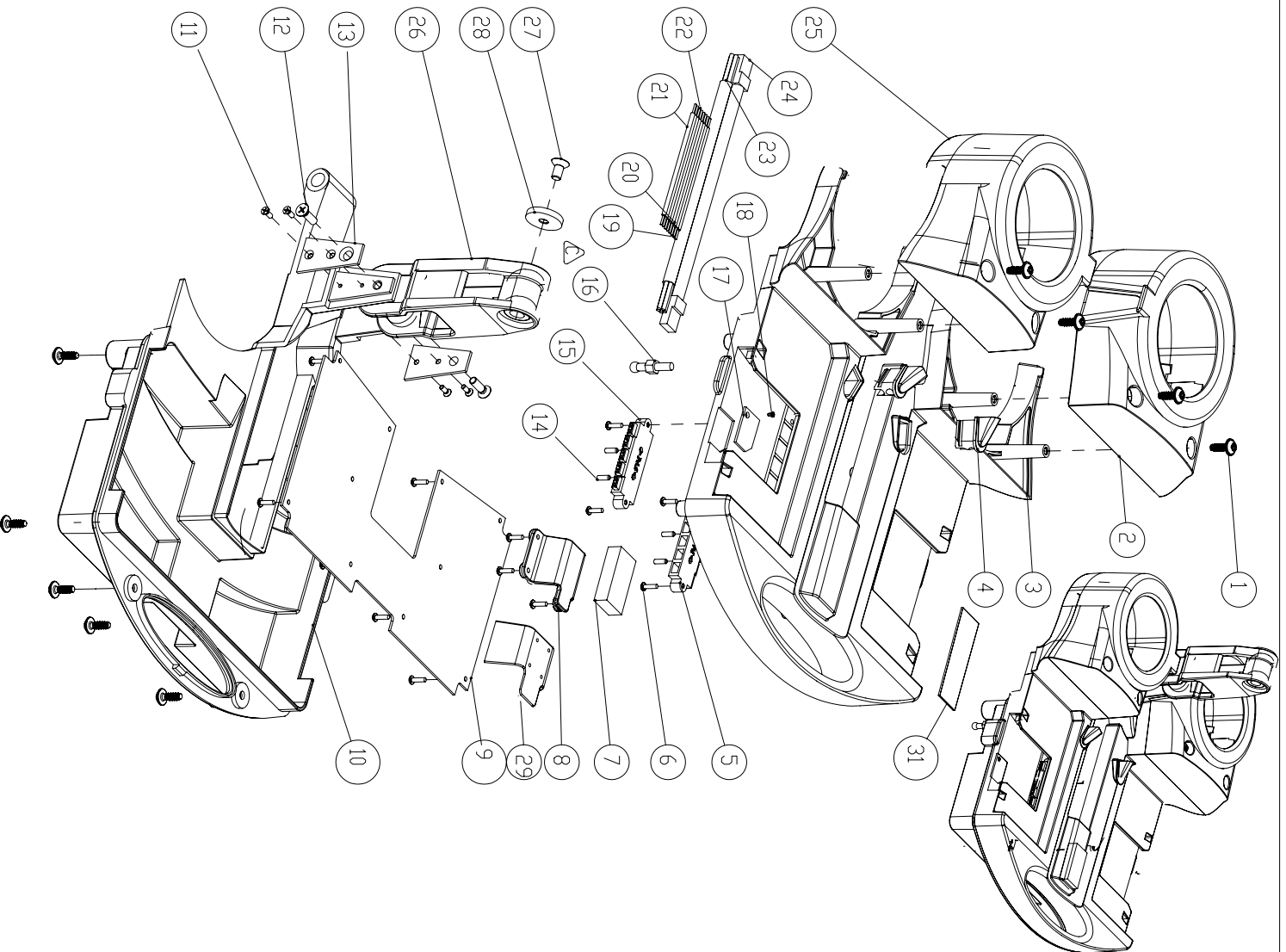
Item	P/N	Description	QTY.
1	S/7200960	SQUEEGEE ASSEMBLY (MCH 1416-1001-1006J)	8
2	7201350	PLASTIC NUT SQUEEGEE	8
3	7201000	SQUEEGEE REAR RUBBER (MCH 1416-1001-2071J)	1
4	7200970	SQUEEGEE REAR PLATE (MCH 1416-1001-2068J)	1
5	7200980	SQUEEGEE TOP PLATE (MCH 1416-1001-2069J)	1
6	7200990	SQUEEGEE FRONT RUBBER (MCH 1416-1001-2070J)	1
7	7201381	SQUEEGEE FRONT PLATE (MCH 1416-1001-2067J)	1
8	7203832	HEIGHT ADJUSTMENT PLATE	3
9	7202350	SQUEEGEE CASTOR GREY DIA8MM	3
10	0400480	M5 WASHER STAINLESS STEEL 5X15X1MM	6
11	7201372	SAHFT SQUEEGEE CASTOR DI8MM NUT M5 NYLON	6
12	7201372	MS SCREW BOLT, THREAD LENGTH 30	3
13	7201361	MS SCREW BOLT, THREAD LENGTH 30	4
14	7201360	MS SCREW BOLT, THREAD LENGTH 35	4
15	7202000/C	RUBBER WASHER FIXATION SQUEEGEE PIN BLACK	2
16	7201979/7	FIXATION PLATE SQUEEGEE PIN, CLEAR-BLUE (P312C)	2
17	7202010	M3 x10 COUNTERSUCK SELF TAP SCREW	4
18	7201020/A	SQUEEGEE HOSE CONNECTOR - SEALING GASKET	1
19	7201038/A	SQUEEGEE HOSE CONNECTOR-UP YELLOW(VVER1)	1
20	7200260	SCREW VAN S451 50X14 EJDIT DELTA PT (MCH 1416-1001-2004J)	2

SMT-FCT Donoguan Ltd.
 THE FRIENDLY CLEANING PRODUCTS
 ASSEMBLY AND MODEL OF CLEANING PRODUCTS

TITLE	IMPPL.KUK.4600C EXPLODED VIEW	REV.	1-MOP	E
MATL	N/A	OWN BY	ANDY XIE	SCALE
TENSIFY TREATMENT	N/A	CHK BY		SHEET
COLOR	N/A	APP BY		DF
				A3

SMT REVISION BLOCK

ISSUE	REVISION	ZONE	CHG BY DATE	CHK & APP DATE
-------	----------	------	-------------	----------------



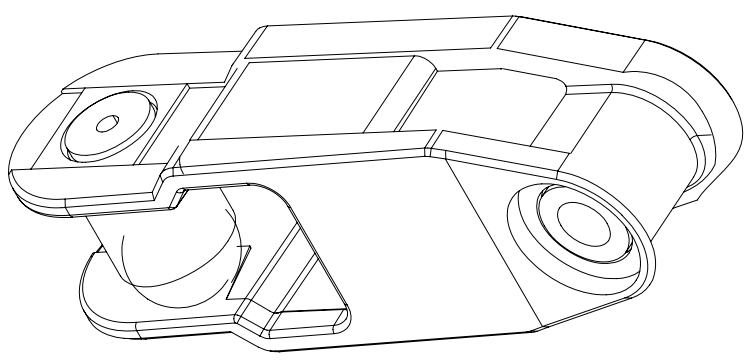
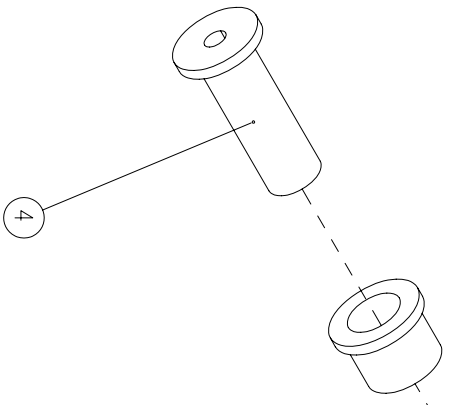
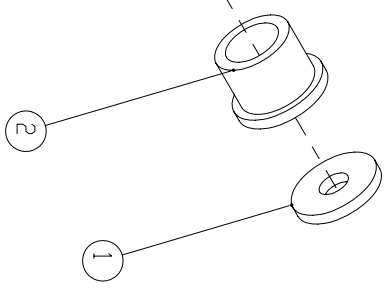
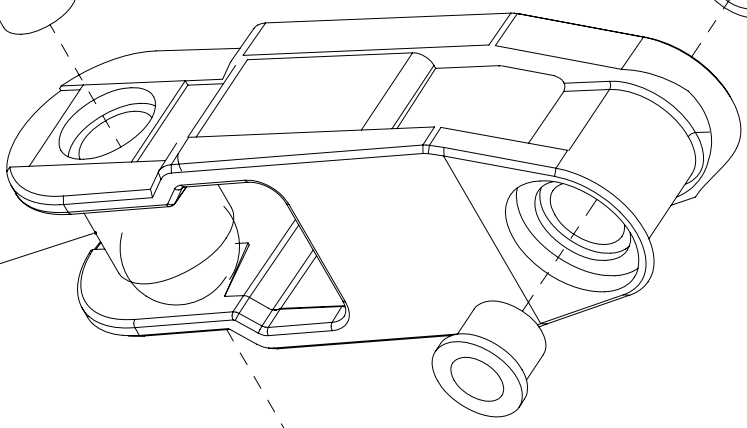
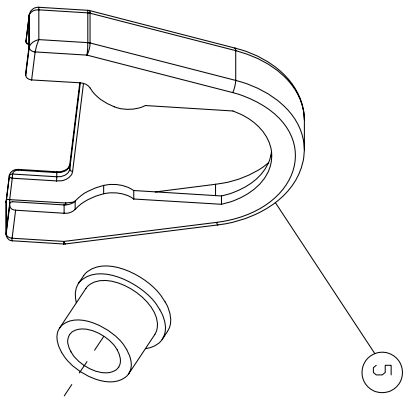
Item	P/N	Description	QTY.
1	S7200652	ASSY MAIN LEVER UNIT IMP [MCH 1416-1001-1004]	12
2	72.0066.0	SCREW WN 5451 50X14 EJOT DELTA PT [MCH 1416-1001-2004]	1
3	72.0072.2	BRUSH MOTOR COOLING COVER RIGHT [MCH 1416-1001-2153] Klear: Blue	1
4	72.0065.2	MAIN LEVER COVER [MCH 1416-1001-2140], Klear:White .2	1
5	72.0069.0	PCB MACHINE SEAL [MCH 1416-1001-2139]	2
6	72.0068.357	BATTERY CONNECTOR MALE Left:Blue Right:Grey, Klear: Grey .	1
7	72.0057.0	SCREW WN 5451 25X10 EJOT DELTA PT [MCH 1416-1001-2150]	16
8	72.0051.0	MAGNET TOP UNIT 40X20X10MM [MCH 1416-1001-2044]	1
9	72.0067.357	MAGNET TOP UNIT HOLDER [MCH 1416-1001-2192],Klear: Grey .357	1
10	72.0070.0/B	ASSY PCB MACHINE BATTERY CONTRDL [B] [BLUE]	1
11	72.0010.0/A	MAIN LEVER HOUSING [A]	1
12	72.0012.1N	NYLAK COUNTER SUNK BOLT M3X8, SST	4
13	72.0028.0N	NYLAK SCREW COUNTER SUNK BOLT M5X16	2
14	85.0050.1	MAIN LEVER SUPPRT PLATE [MCH 1416-1001-2193]	2
15	72.0068.797	ALIGNMENT PIN LONGER VERSION	4
16	72.0071.0	BATTERY CONNECTOR MALE Left:Blue Right:Grey, Klear: Blue .	1
17	72.0164.2	SOUEEGE FIXATION PIN [MCH 1416-1001-2158]	2
18	72.0165.0	COVER USB UPDATE SLOT Klear: White .2	1
19	72.0165.0	SCREW COUNTER SUNK M1.7x6	1
20	72.0123.0	MALE CONNECTOR + WIRES 14AWG RED 150MM	2
21	72.0124.0	MALE CONNECTOR + CONNECTOR WIRES 14AWG BLACK 150MM	2
22	72.0157.0/A	WIRES FOR BRUSH UNIT 14AWG BLACK ANGLE TERMINAL L=280mm	2
23	72.0157.1/A	WIRES FOR BRUSH UNIT 14AWG RED ANGLE TERMINAL L=280mm	2
24	72.0126.0/A	POWER CABLE 3 WIRES ANGLE TERMINAL S 0.15MM 2 L=630MM	1
25	72.0125.0/A	UPF CABLE (MULTIPLE WIRES) RJ45 ◊ PH2.0-8P CONNECTOR L=60CM	1
26	72.0073.2	BRUSH MOTOR COOLING COVER LEFT [MCH 1416-1001-2154], Klear: Blue	1
27	S72.0018.0	ASSY HINGE CARDAN [MCH 1416-1001-1011]	1
28	72.0033.2	COUNTER SUNK HEAD CAP SCREW M6X20 WITH NYLAK GLUE	1
29	72.0058.1	CARDAN DISK [Ver:1]	1
30	72.0222.0	STEEL COVER ISOLATION MAGNETIC T=3MM	1
31	72.0222.0 NO SHDW	PET SHEET ONE SIDE 3M GLUE T=0.04MM	4
	89.04672099310	STICKER IMPD [STRONG MAGNETS] [B]	1

SMT-FCT Donoguan Ltd.
 THE FRIENDLY PRINTING PRODUCTS
 ASSEMBLY AND HOUSING OF CLEANING PRODUCTS

TITLE	IMPXLKUK4600C EXPLODED VIEW	REV.	1-MDP	SCALE	1/10
DATE	N/A	APP BY	ANDY XIE	SHEET	14 OF 22
CHK BY	N/A	APP BY		FILE	IMPXLKUK4600C EXPLODED VIEW
DATE	N/A	APP BY		FILE	IMPXLKUK4600C

SMT REVISION BLOCK

ISSUE	REVISION	ZONE	CHG. BY DATE	CHK & APP. DATE
-------	----------	------	-----------------	--------------------



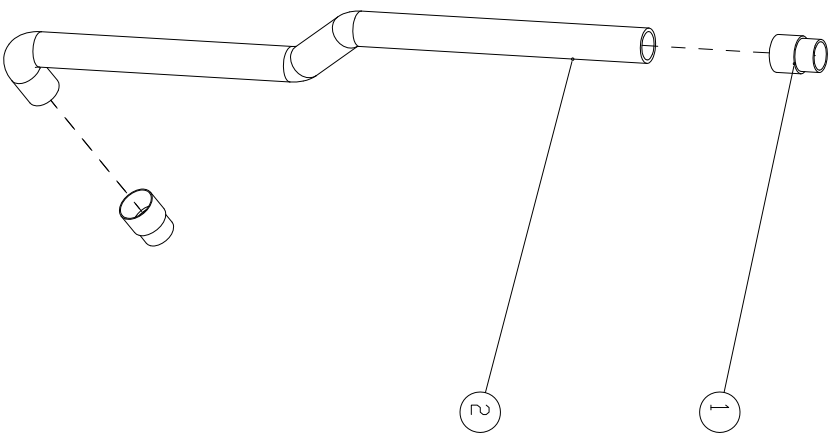
Item	P/N	Description	QTY.
1	S/72.0018.0	ASSY HINGE CARDAN (MCH 1416-1001-1011)	
2	72.0020.0	WASHER AZIS MAIN LEVER (MCH 1416-1001-2116)	1
3	72.0016.0	BRUSHING AXIS 10 (MCH 1416-1001-2112)	4
4	72.0018.0	HINGE CARDAN TOP UNIT (MCH 1416-1001-2029)	1
5	72.0019.0/A	HINGE AXIS MAIN LEVER STAINLESS STEEL	1
	72.0311.357	COVER HINGE SCREW, Kieur Grey .357 (P431C)	1

SMT-FCT DonoGuan Ltd.
 THE FUTURE OF FARMING PRODUCTS
 ASSEMBLY AND HEADQUARTERS

TITLE	IMDPLX.KUK.4600C EXPLODED VIEW	REV.	1-MDP	SCALE	1/10	E
MATL.	N/A	DMN BY	ANDY XIE			
THERMAL TREATMENT	N/A	CHK BY		SHEET	15	DF 22
COLOR	N/A	APP BY		PRO FILE		A3

SMT REVISION BLOCK

ISSUE	REVISION	ZONE	CHG. BY
			DATE
			APP. DATE



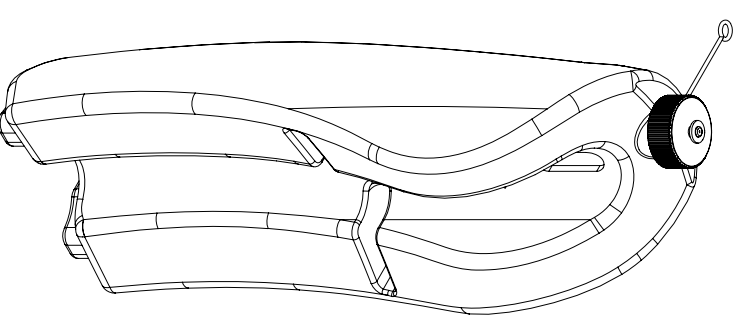
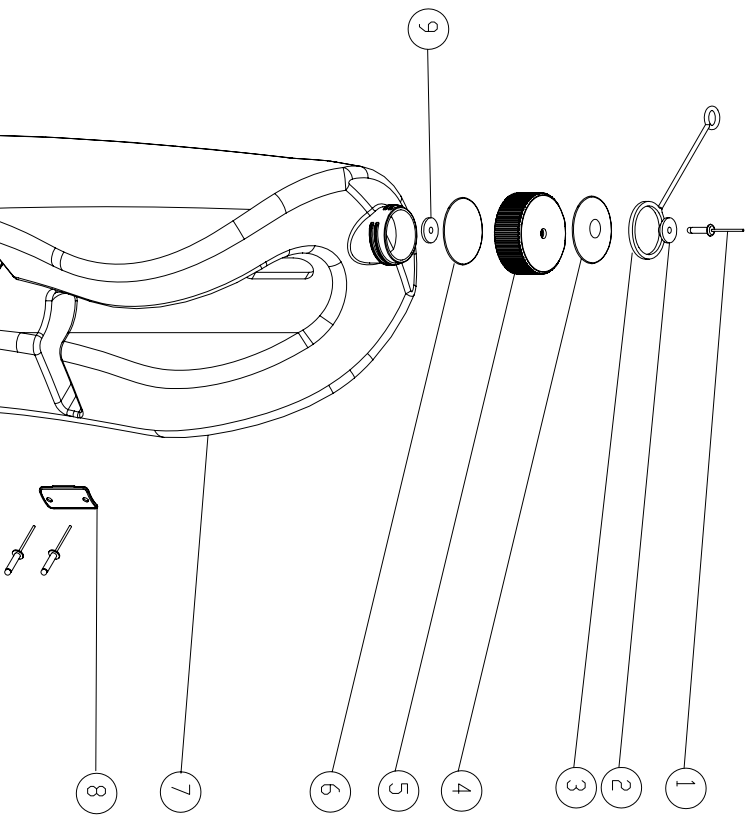
Item	P/N	Description	QTY.
1	S.72.0094.0	STRETCH HOSE COMPLETE	
2	72.0095.8	STRETCH HOSE CUFF YELLOW	2
	72.0094.0	STRETCH HOSE TOP UNIT [MCH 1416-1001-2098]	1

SMT-FCT DonoGuan Ltd.
THE FRIENDLY FARMING PRODUCTS ASSEMBLY AND MAINTENANCE PRODUCTS

TITLE		IMPXL.KUK.4600C EXPLODED VIEW		REV.	1-MDP	E
DATE	N/A	APP BY	ANDY XIE	SCALE	1/10	
FIG. NO.	N/A	CHK BY		SHEET	16	OF
CHK BY	N/A	APP BY		FILE	IMPXL.KUK.4600C EXPLODED VIEW	A3

SMT REVISION BLOCK

ISSUE	REVISION	ZONE	CHG. BY DATE	CHK & APP. DATE
-------	----------	------	-----------------	--------------------



Item	P/N	Description	QTY.
1	S.72.0088.1	DIRT COMPARTMENT [NEW]	3
2	54.0029.0	BLIND REVIT NAIL 4 X 15 MMG	1
3	72.0254.0	SLEEVE CAP HOLDER	4
4	72.0252.0	CAP HOLDER	1
5	89.0469.2099.25A	WARNING PLATE ON DIRTY TANK ROUND STAINLESS PLATE 4.5MM	1
6	72.0264.357	CAP WITHOUT HOLE Color: Grey [P.4316]	1
7	72.0265.0	SEALING GASKET CAP DIRTY TANK	1
8	72.0088.1	DIRT COMPARTMENT CAP VERSION	1
9	72.0089.0	FIXATION PLATE DIRT COMPARTMENT [MCH 1416-1001-2171]	1
	72.0271.0	PLASTIC WASHER 9x4x1mm	1

SMT-FCT DonoGuan Ltd.
 THE FUTURE OF CLEANING PRODUCTS
 ASSEMBLY AND MAINTENANCE INSTRUCTIONS

TITLE	IMPLYL.KUK.4600C EXPLODED VIEW	REV.	1-MDP	REV.	E
DATE	N/A	APP. BY	ANDY XIE	SCALE	1/10
DESIGNER	N/A	CHK. BY		SHEET	17 OF 22
DATE	N/A	APP. BY		FIG. NO.	IMPLYL.KUK.4600C EXPLODED VIEW
				FIG. FILE	IMPLYL.KUK.4600C
					A3

