



Open DMX USB

USB DMX Widget



General Information

The OPEN DMX USB is a no-frills, inexpensive way to get into the world of controlling DMX devices from a PC. It relies on the computer for all calculations and timing of the DMX signal, so it may not be ideal for many medium to heavy demand applications. It is however, suitable for use for project work, as a diagnostic tool, for small live music and amateur theatre applications

Features

Our smallest product in physical dimensions, (not much bigger than a matchbox), designed with convenience and portability in mind:

- Designed to be powered by a computer over USB
- Standard 5pin DMX port (output only)
- Compatible with a wide range of 3rd Party Software
- Control up to 512 channels (software permitting)
- Includes USB cable

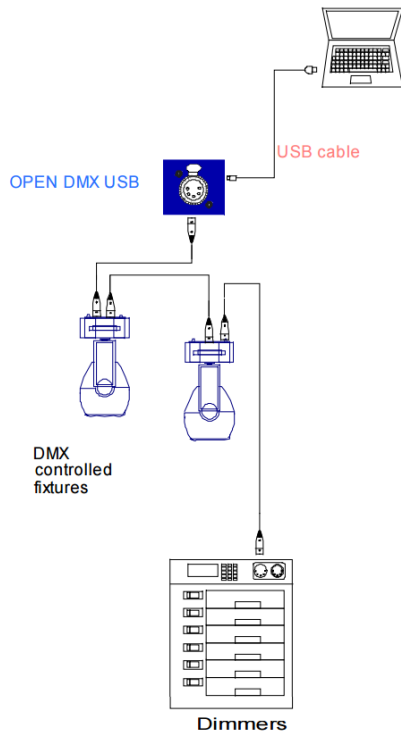
Applications

- Architectural
- Architainment
- ToolBox
- Students
- Community Theatre

Technical Specifications

Item	Value
Input Voltage	5vDC (Supplied through USB)
Power requirements	300mA
Wattage	1.5W
Output Type	Data
Max Output Channels	1 universe (512ch)
Supported Protocols	DMX512
Connectors	Female XLR5 USB 2.0 B
Environment	0°-50°C in non-condensing environment
Certifications	CE & FCC

Wiring Schematic

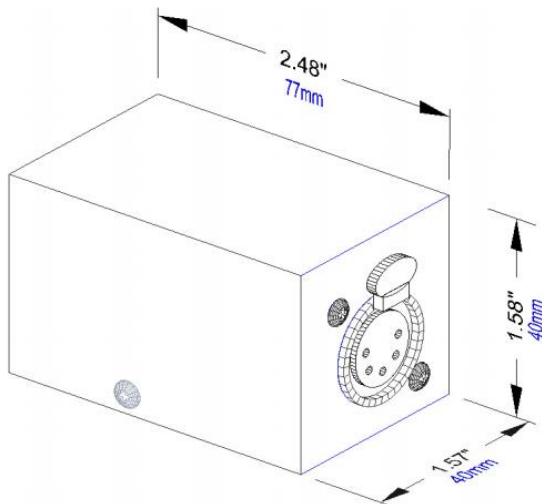


Ordering Information

The ODE and related products can be ordered from our website or through your ENTTEC dealer using the following part numbers.

Item	Name
70303	Open Dmx USB
70029	3-pin female to 5-pin male adapter
70030	5-pin female to 3-pin male adapter

Physical Details



Item	Value
Width:	63mm / 2.48"
Height	40mm / 1.58"
Depth	44mm / 1.73"
Weight	0.20 kg / 0.44 lbs
Shipped Weight	0.30 kg / 0.66 lbs

Due to continuous improvements and innovations of all ENTTEC products, specifications and features are subject to change without notice. Please see www.enttec.com for the latest version.

ENTTEC PTY LTD

7 Macro Court
Rowville Victoria
3178 Australia

T: +61 3 9763 5755
F: +61 3 9763 5688
Email:
sales@enttec.com

ENTTEC AMERICAS

604A Cornerstone Ct.
Hillsborough NC 27278
USA

T: (888) 454-5922
F: (888) 454-5922
Email:
sales.americas@enttec.com

ENTTEC EUROPE

B23 Parkhall Business Centre
40 Martell Road
London SE21 8EN
United Kingdom

T: +44(0) 2070616210
Email:
sales@enttec.co.uk